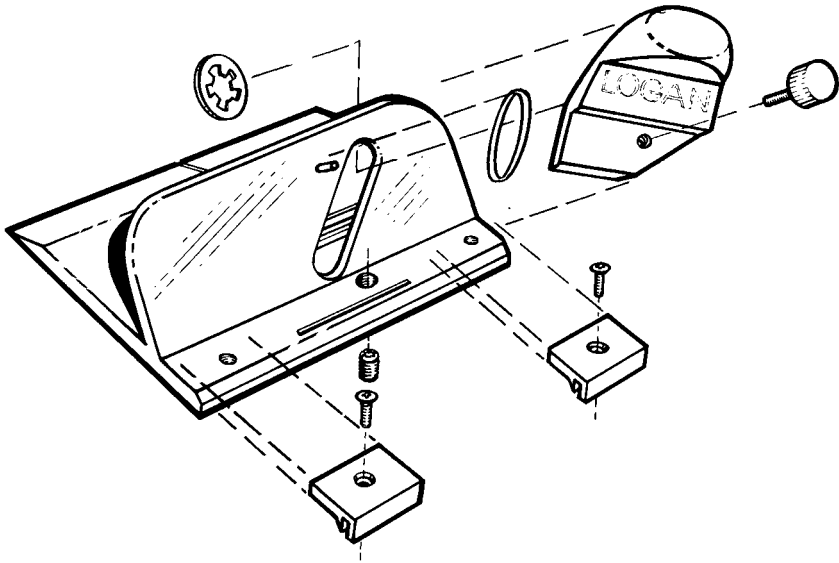


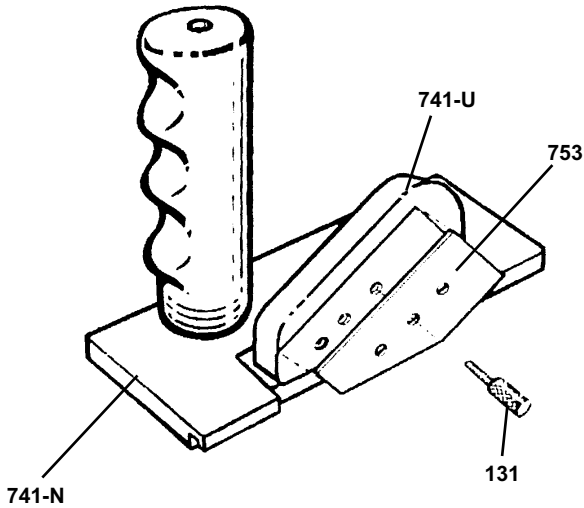
Parts List

A. Cutting Heads



302 Bevel Cutting Head

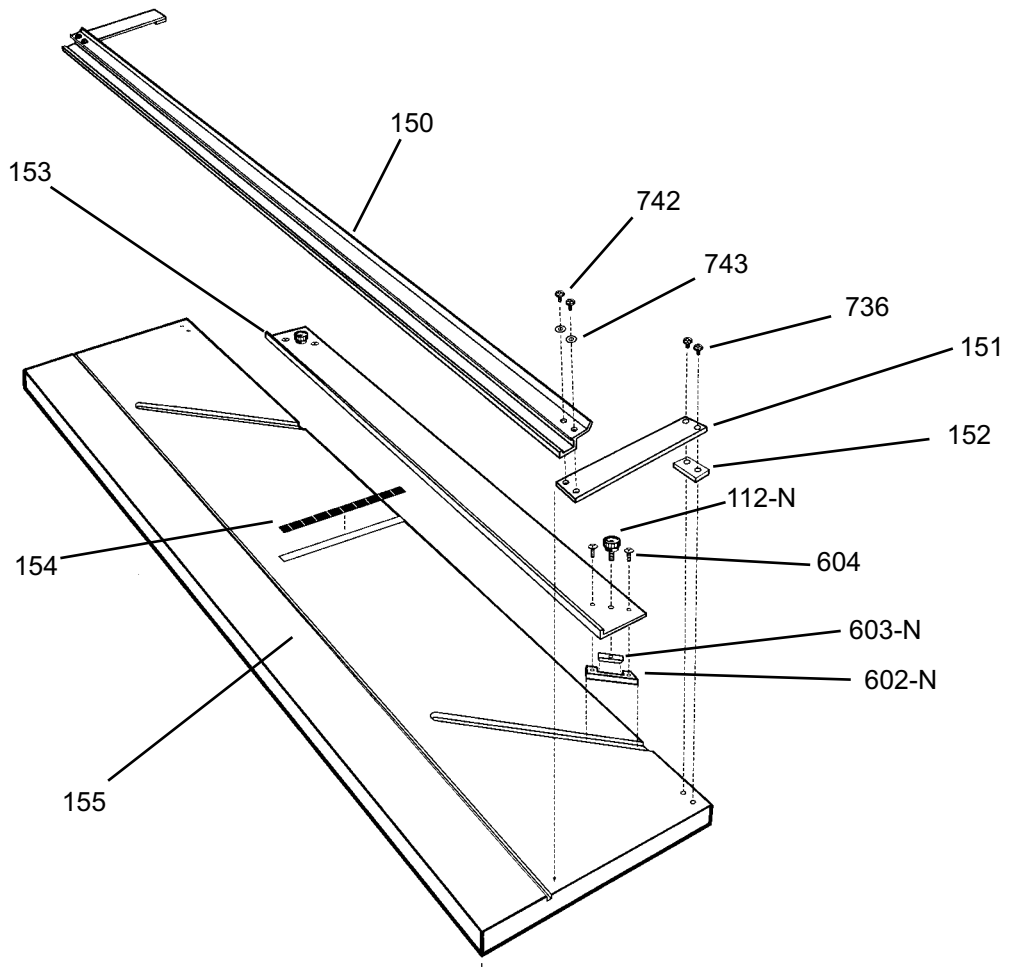
427	push washer
425	cutting head base
426	push slide
444/250	blade screw
501	nylon guide x 2
159	screw x 2
430	depth screw



701 Straight Cutting Head

741-U	upright base
753	blade cover
131	knurled screw
741-N	straight cut base

#301-S Compact Base Board



#301-S Compact Base Board	
150	guide rail
151	support arm x 2
152	spacer block x 2
153-1	mat guide
154	scale
155	cutting board
229	feet x 4 <i>not shown</i>
602-N	mat guide slide x 2
603-N	mat guide wedge x 2
736	screw x 4
742	screw x 4
743	washer x 4
112-N	mat guide knob x 2
604	screw x 4